

# Hot Swap Capability Eliminates Down Time



Systems applications which employ fault tolerant power delivery architectures, usually require “Live Swap” capability for zero downtime. Modern telecommunications and data communications systems are examples where this requirement is generally imposed. The ability to live swap or hot swap, as it is sometimes called, has a significant impact on the power supply design. The scope of this technical note includes design considerations as related to 48V distributed power architectures which employ hot swappable, modular power converters.

Hot swap capability imposes special needs to insure survival of the component which is subjected to live insertion and extraction. In addition, it is necessary to prevent any significant disturbance of either input or output power rails during live insertion / extraction. Any significant, even momentary perturbation of either bus could cause the system to malfunction. Individual contacts within a typical connector do not engage / disengage simultaneously, but rather in an undefined random sequence. It is therefore necessary to take steps to insure orderly power up / down.

The design rules which satisfy the above requirements can be summarized as follows:

1. Terminal constraints or absolute maximum ratings of components must never be violated, even momentarily during live insertion / extraction.
2. Inrush current during live insertion of a module must be limited to an acceptable level to prevent momentary interruption or sag of the input 48V bus, and to minimize arcing between mating contacts.
3. Load takeover of the live inserted converter must be rate limited, smooth, and without sudden transition so as not to upset regulation of the output bus.
4. A converter module must never be allowed to transfer energy, i.e., produce power pulses while disengaged from the load, or while it's sense lines are unterminated.

**NOTE:** Sense resistor removed to prevent module drive / booster arbitration.

In order to satisfy these requirements, a small amount of additional circuitry on each hot pluggable module is necessary for protection and sequencing. This insures that during extraction, the converter is disabled prior to the load being disengaged or the sense lines unterminated, and that during live insertion, the converter is momentarily held in a disabled state until all input and output terminations are complete. The effects of random engagement / disengagement of connector contacts during insertion / extraction might otherwise cause damage to the module, or even system failure.

The first and foremost requirement for fault tolerance is redundancy, i.e., the existence of at least one extra, or “redundant” converter in the system. This is commonly referred to as an N+M array, where N converters are required to satisfy the power requirements, and M additional modules provide redundancy. All modules in the array must be capable of supplying undisturbed power in the event of shut down or failure of one module, in spite of the sudden increased load demanded of each. The same is true for the case where an additional module is placed on line, suddenly reducing the current demanded of each module. To satisfy these criteria, it's essential that the individual converters share the load current, in order to minimize the dynamic response or recovery required of each. Some means of current share control must be employed, and there is a second but equally important reason for load share control. Reliability is severely impacted by operating temperature. Mean time between failure numbers roughly double every 10 Celsius degrees decrease in operating temperature. A module delivering twice the load current of another in the array will experience twice the temperature rise above ambient.

Vicors Maxi, Mini, Micro Series converters boast a number of features which simplify application in a redundant parallel array.

---

The most significant of these include enable / disable capability, a unique parent / child current share control scheme, and the ability to self arbitrate the leadership role. One converter will always assume command of the entire array. These products also possess the commonly available features, such as undervoltage lockout, soft start, output current limiting, and remote sense capability. The Vicor converter topology is resonant zero current switched. Line and load regulation is accomplished by controlling the frequency or rate at which pulses of energy are transferred from the primary to the secondary of the isolation transformer. The pulse width, and therefore the energy per pulse is constant at any given input voltage. The repetition rate is controlled to satisfy the load current demand, while maintaining output voltage regulation. It follows therefore that identical converters will inherently share the load if the switching frequencies are synchronized.

The PR pin on Maxi, Mini, Micro Series converter modules is a bidirectional port which serves as a parallel load share bus. This port can transmit or receive the synchronizing pulse signal. The controlling module transmits the sync pulse and all other modules listen, as further described in the section entitled "Parallel Bus".

The PC (Primary Control) pin is also a bidirectional port. This port serves as a module status output, and normally is at  $6V_{DC}$  during operation of the converter. In the event of a fault condition, such as over temperature or over voltage at the output, PC switches to the low state (approximately 0V with respect to the negative VIN pin when resistively terminated). PC periodically toggles high attempting to restart while the fault condition persists, but will remain high only when the fault condition is corrected.

PC also serves as an Enable / Disable input. The converter shuts down if PC is externally pulled low, and will source a pulsed approximately 2mA while held in the low state. These characteristics facilitate the use of a transistor switch with uncommitted collector or drain for the Enable / Disable function.

The Sense pins are used to provide accurate voltage regulation across the output power bus at the terminus, usually the location of the system's load. The terminated Sense lines close the regulation control loop, which adjusts the converter output voltage to compensate for voltage drops in the output power bus. Termination of the Sense pins is imperative in order to maintain output voltage control. Fault tolerant parallel arrays must employ auctioneering diodes in series with the output of each module to the power bus. The converter output currents are summed at the junction of all diodes on the bus. This insures the integrity of the bus and the system's operation in the event of a failure of any type, including output short circuit, in any one module. The diode is reversed biased and simply isolates the converter from the bus if it's output voltage drops out. Each module's sense lines must be terminated beyond the diodes, and the hot swap connector at the common bus.

To summarize, a hot swappable plug-in module must possess the following features and characteristics:

1. Shut down prior to extraction
2. Momentarily disabled start up upon insertion
3. Inrush current limiting

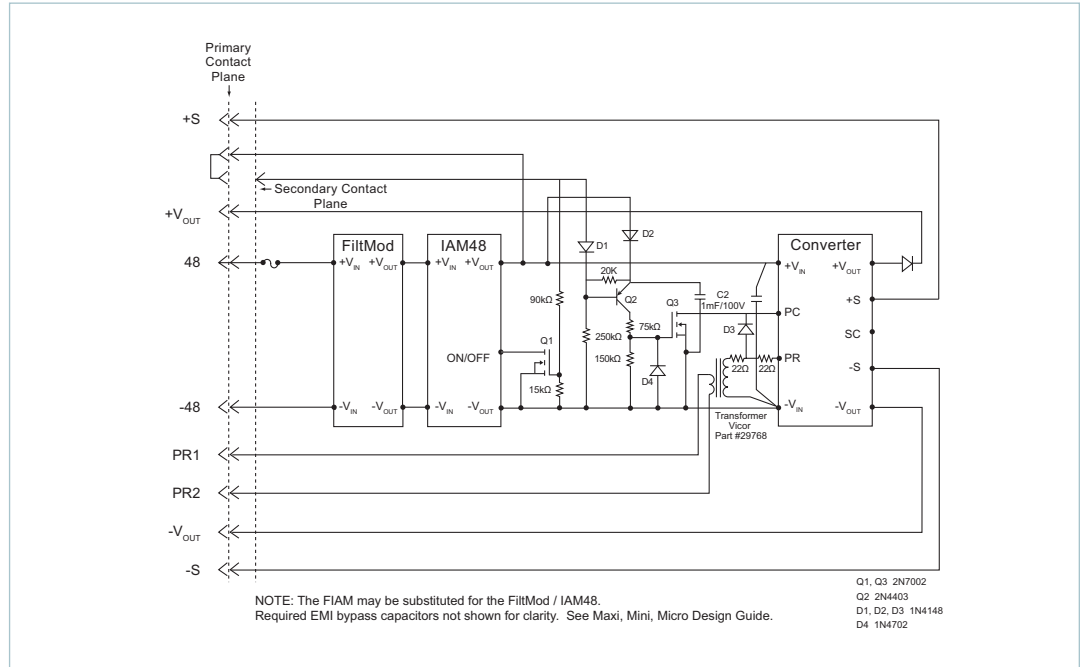
These requirements can be realized in a number of ways. The obvious, simplest way to keep a converter disabled during the trauma of live insertion or extraction is with a mechanical switch that can be placed in the OFF position prior to insertion, then switched ON once the connector contacts are firmly mated. Conversely, the switch can be placed in the OFF position prior to extraction. The PC pin which conveniently lends itself to the Enable / Disable function, can be controlled by the switch. It is preferable that the hot swappable assembly includes locking tabs to secure it once inserted, the locking tabs should be mechanically linked to a microswitch to enable and disable the converter. Only after the board is fully inserted into the back plane.

An alternative approach automatically disables the converter during insertion and extraction, thus avoiding the need for manual intervention as with a mechanical switch. This eliminates the possibility of human error, i.e., plugging or unplugging while the switch is in the on position. The method illustrated in Figure 1 accomplishes this but requires the use of a connector with staggered contacts. Specifically, this approach employs a single short pin for ON / OFF control, that is guaranteed to mate last upon insertion, and break first during extraction.

The IAM48 module contains a series FET switch for ON / OFF control of the 48V bus to the converter input. The ON / OFF control pin has internal pull up and must be pulled low to turn on the 48V bus to the converter module. This part also contains a shunt switch across the output which is in the ON state when the ON / OFF control pin is high (OFF) with respect to the negative rail. The shunt switch provides a path to rapidly discharge the hold up capacitors when the 48V bus is turned OFF. In addition to ON / OFF control, the IAM provides inrush current limiting, and in conjunction with the EMI filter module or FiltMod, it also provides transient overvoltage protection. The IAM and FiltMod are generally recommended for telecom applications to insure compliance with EMC (Electromagnetic Compatibility) standards. In those applications that require Hot-Swap capability, the IAM, or some alternative form of inrush current limiting is required.

The start up sequence upon insertion is as follows; Initially, all connector pins, except the short pin, establish contact in an unavoidably random sequence. Refer to the timing diagram in Figure 2. During this time, the converter must not be allowed to start. This is insured because the short pin has not yet made contact, which commands the IAM (via Q1) to remain in the OFF state. In addition, Q3 pulls the PC pin low, thus disabling the converter. Eventually, the short pin does establish contact after all other pins are firmly seated. The ON / OFF pin of the IAM is pulled low. The IAM in turn, allows the 48V bus to ramp up at a controlled rate charging the bus capacitance, which limits the inrush current to a safe level. The converter is also enabled when the IAM turns on, but will not start until the 48V bus reaches the undervoltage lockout threshold at approximately 34V. The converter will not begin to draw current and ramp up the output however, for at least an additional 100 milliseconds because of the built-in soft-start feature.

**Figure 1**  
Live Swap Protection

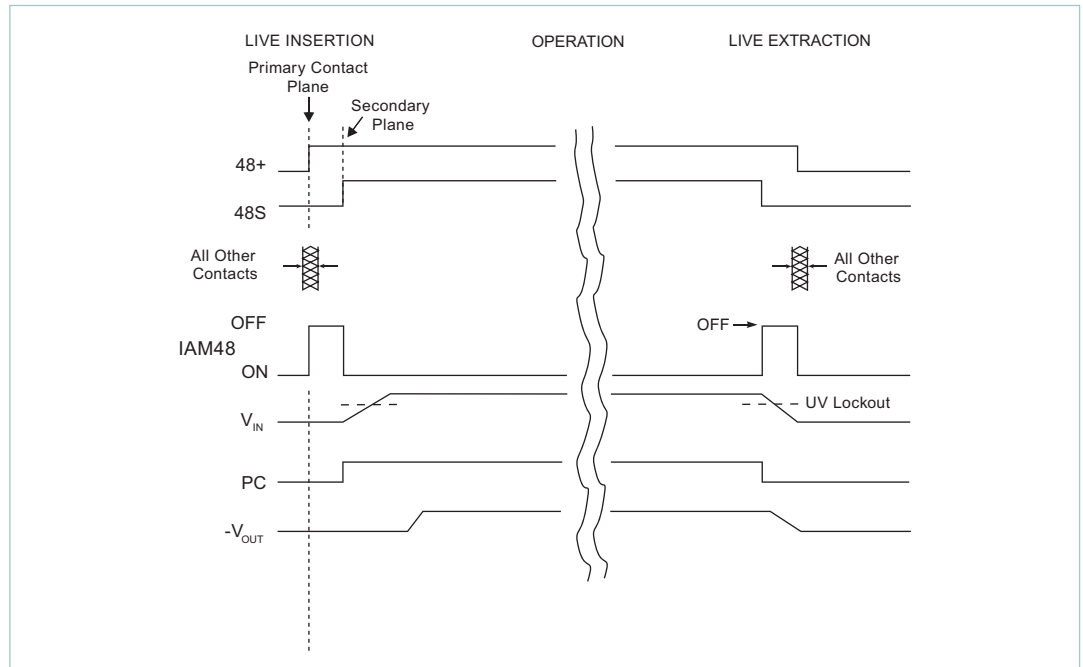


Finally, the converter output voltage runs up to the point where the auctioneering diode is forward biased, at which point the module delivers its equal share of the load.

The shut down sequence upon extraction is approximately the reverse of the above. The short pin disengages well in advance of all the other pins which immediately causes the IAM to turn off the 48V. At the same time, the converter is disabled. The shunt switch in the IAM rapidly discharges (<50ms) the bus capacitance, while C2 continues to provide current to hold Q3 on. This insures that the PC pin is held low, well beyond the point in time where the 48V bus decays to the undervoltage lockout threshold. This, in turn, guarantees that the converter cannot process power conversion pulses during the random disengagement of all other contacts.

This technique has been employed successfully, and has demonstrated minimal perturbation of both input and output bus voltages during insertion and extraction, while insuring that maximum voltage ratings of all module pins are never violated. The short connector pin, while adding a minor degree of complexity, absolutely guarantees preparation for the random and hostile contact mating sequence during insertion, and likewise, preparation for the random disengagement sequence during extraction.

**Figure 2**  
Live Swap Timing Diagram



---

## Limitation of Warranties

Information in this document is believed to be accurate and reliable. HOWEVER, THIS INFORMATION IS PROVIDED "AS IS" AND WITHOUT ANY WARRANTIES, EXPRESSED OR IMPLIED, AS TO THE ACCURACY OR COMPLETENESS OF SUCH INFORMATION. VICOR SHALL HAVE NO LIABILITY FOR THE CONSEQUENCES OF USE OF SUCH INFORMATION. IN NO EVENT SHALL VICOR BE LIABLE FOR ANY INDIRECT, INCIDENTAL, PUNITIVE, SPECIAL OR CONSEQUENTIAL DAMAGES (INCLUDING, WITHOUT LIMITATION, LOST PROFITS OR SAVINGS, BUSINESS INTERRUPTION, COSTS RELATED TO THE REMOVAL OR REPLACEMENT OF ANY PRODUCTS OR REWORK CHARGES).

Vicor reserves the right to make changes to information published in this document, at any time and without notice. You should verify that this document and information is current. This document supersedes and replaces all prior versions of this publication.

All guidance and content herein are for illustrative purposes only. Vicor makes no representation or warranty that the products and/or services described herein will be suitable for the specified use without further testing or modification. You are responsible for the design and operation of your applications and products using Vicor products, and Vicor accepts no liability for any assistance with applications or customer product design. It is your sole responsibility to determine whether the Vicor product is suitable and fit for your applications and products, and to implement adequate design, testing and operating safeguards for your planned application(s) and use(s).

VICOR PRODUCTS ARE NOT DESIGNED, AUTHORIZED OR WARRANTED FOR USE IN LIFE SUPPORT, LIFE-CRITICAL OR SAFETY-CRITICAL SYSTEMS OR EQUIPMENT. VICOR PRODUCTS ARE NOT CERTIFIED TO MEET ISO 13485 FOR USE IN MEDICAL EQUIPMENT NOR ISO/TS16949 FOR USE IN AUTOMOTIVE APPLICATIONS OR OTHER SIMILAR MEDICAL AND AUTOMOTIVE STANDARDS. VICOR DISCLAIMS ANY AND ALL LIABILITY FOR INCLUSION AND/OR USE OF VICOR PRODUCTS IN SUCH EQUIPMENT OR APPLICATIONS AND THEREFORE SUCH INCLUSION AND/OR USE IS AT YOUR OWN RISK.

## Terms of Sale

The purchase and sale of Vicor products is subject to the Vicor Corporation Terms and Conditions of Sale which are available at: (<http://www.vicorpower.com/termsconditionswarranty>)

## Export Control

This document as well as the item(s) described herein may be subject to export control regulations. Export may require a prior authorization from U.S. export authorities.

Contact Us: <http://www.vicorpower.com/contact-us>

**Vicor Corporation**  
25 Frontage Road  
Andover, MA, USA 01810  
Tel: 800-735-6200  
Fax: 978-475-6715  
[www.vicorpower.com](http://www.vicorpower.com)

### email

Customer Service: [custserv@vicorpower.com](mailto:custserv@vicorpower.com)  
Technical Support: [apps@vicorpower.com](mailto:apps@vicorpower.com)